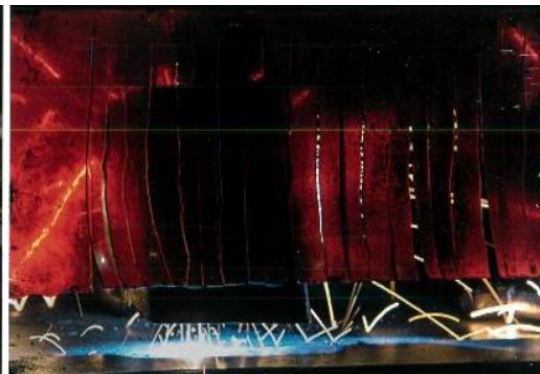
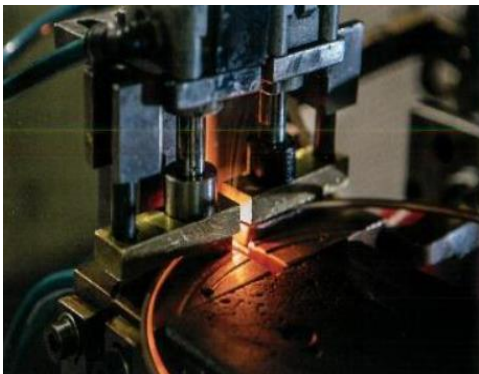
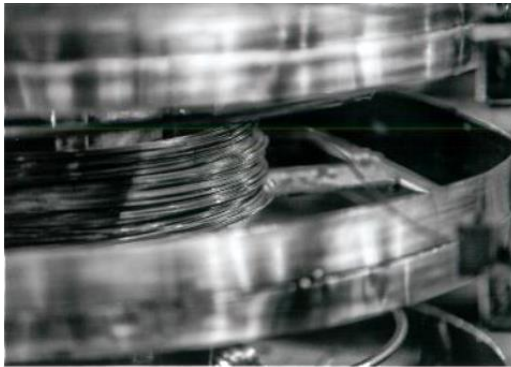


## WIRE RINGS FOR AIR SUSPENSION

*Our products are produced in CNC Controlled Production Line.*

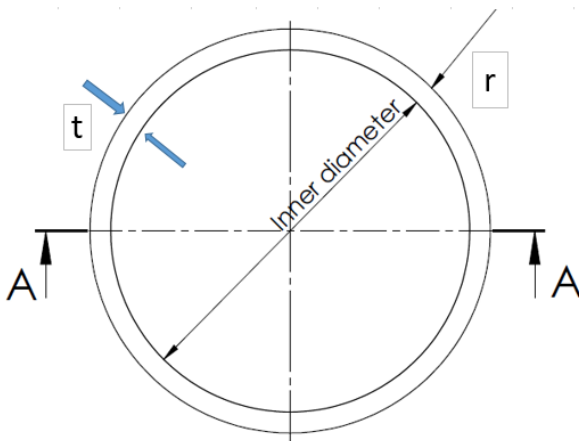


## WIRE RINGS FOR AIR SUSPENSION

### RING REFERENCES

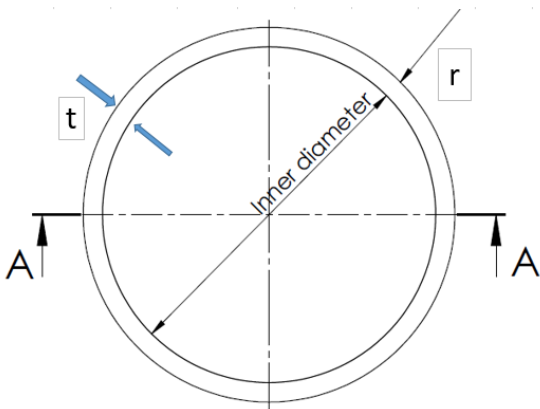
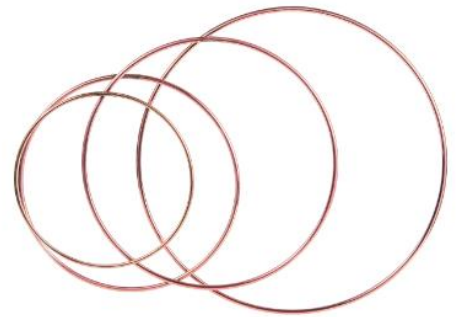


| Ø5 mm Serial Production References (t x r) |       |         |       |         |       |
|--|-------|---------|-------|---------|-------|
| 5x112                                      | 5x153 | 5x214   | 5x247 | 5x235   | 5x234 |
| 5x124                                      | 5x163 | 5x216   | 5x250 | 5x136,3 | 5x245 |
| 5x132                                      | 5x165 | 5x217   | 5x261 | 5x148   | 5x286 |
| 5x135                                      | 5x177 | 5x217,5 | 5x263 | 5x204,5 | 5x288 |
| 5x136                                      | 5x179 | 5x218   | 5x265 | 5x205   |       |



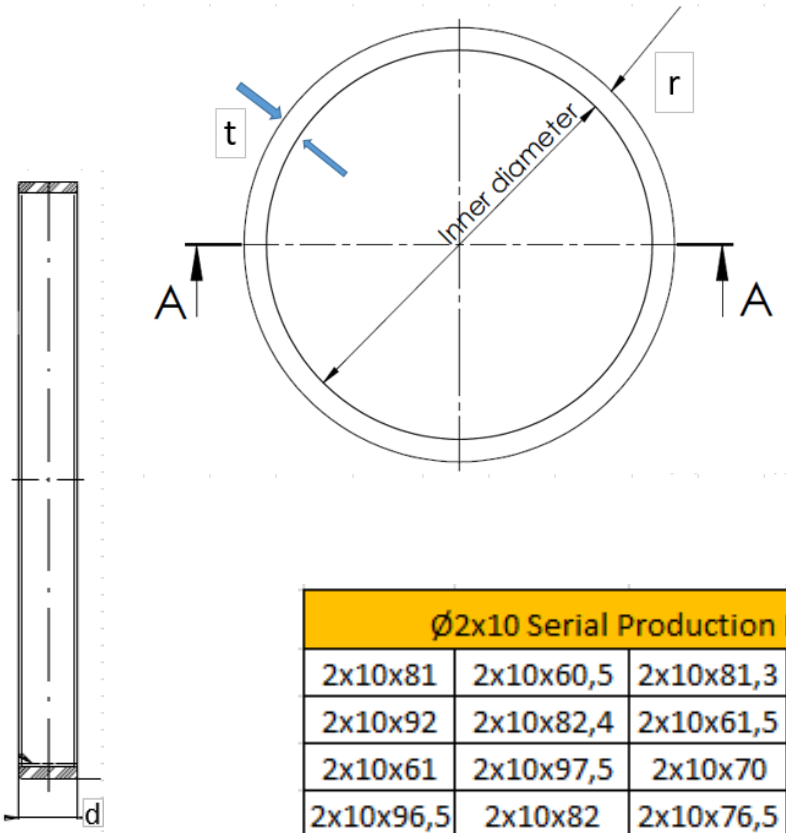
| Ø4 mm Serial Production References (t x r) |         |       |       |       |       |
|--|---------|-------|-------|-------|-------|
| 4x112,5                                    | 4x167   | 4x97  | 4x288 | 4x136 | 4x137 |
| 4x124                                      | 4x177   | 4x110 | 4x67  | 4x235 | 4x261 |
| 4x135                                      | 4x204,5 | 4x86  | 4x164 | 4x139 | 4x162 |

| Ø3 mm Serial Production References (t x r) |        |        |      |        |        |
|--|--------|--------|------|--------|--------|
| 3x72                                       | 3x78,5 | 3x72,5 | 3x74 | 3x76,5 | 3x77,5 |



| Ø6 & Ø 8 mm Serial Production References (t x r) |       |       |       |         |       |
|--|-------|-------|-------|---------|-------|
| 6x124  | 6x228 | 6x264 | 6x218 | 6x220   | 6x237 |
| 6x179  | 6x232 | 6x224 | 6x292 | 8x113,5 | 8x147 |

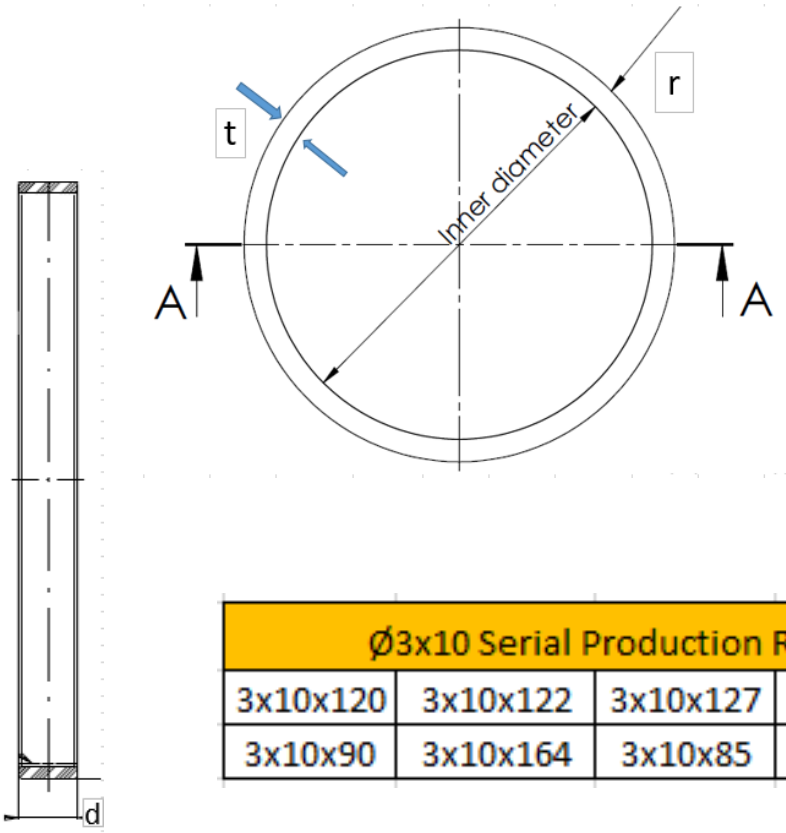
## CRIMP RING REFERENCES



| Ø2x10 Serial Production References ( $t \times d \times r$ ) |           |           |           |           |           |
|--|-----------|-----------|-----------|-----------|-----------|
| 2x10x81  | 2x10x60,5 | 2x10x81,3 | 2x10x77   | 2x10x98   | 2x10x80   |
| 2x10x92  | 2x10x82,4 | 2x10x61,5 | 2x10x86   | 2x10x78,5 | 2x10x69,5 |
| 2x10x61  | 2x10x97,5 | 2x10x70   | 2x10x91   | 2x10x89,5 | 2x10x58   |
| 2x10x96,5  | 2x10x82   | 2x10x76,5 | 2x10x81,5 | 2x10x99,5 |           |
| 2x10x94  | 2x10x93   | 2x10x91,5 | 2x10x106  | 2x10x95,5 |           |



## CRIMP RING REFERENCES



| Ø3x10 Serial Production References ( t x d x r ) |          |          |          |          |            |
|--|----------|----------|----------|----------|------------|
| 3x10x120   | 3x10x122 | 3x10x127 | 3x10x126 | 3x10x110 | 3x10x83    |
| 3x10x90  | 3x10x164 | 3x10x85  | 3x10x100 | 3x10x161 | 3x10x121,3 |



## STEEL WIRE REFERENCES

| Steel Wire Production References ( <b>t x r</b> ) |       |       |           |         |         |
|---|-------|-------|-----------|---------|---------|
| 5x115   | 4x88  | 3x91  | 5,3x116,7 | 4x110,5 | 8,5x468 |
| 5,3x190   | 4x94  | 5x124 | 5,3x192,7 | 4x100   | 6x111,5 |
| 5,3x245,7   | 4x115 | 5x248 | 5,3x136,3 | 6x110,5 |         |
| 5,3x158,7   | 4x77  | 5x246 | 5,3x121,7 | 5x204,5 |         |
| 5x136,3   | 4x107 | 5x261 | 4x204,5   | 5x109   |         |

